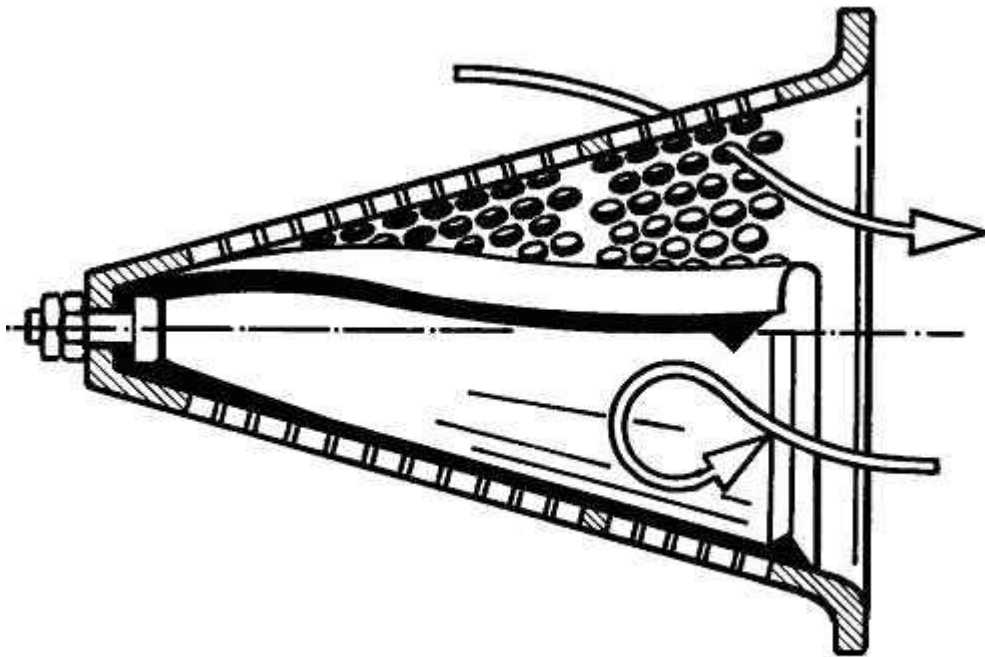


stop silent

The point of no return



Lasso Technik AG
Basel, Schweiz

www.lasso.ch

Characteristics

Check valve for the backflow prevention of liquid and gaseous media

Perfect sealing when closed
Perfect sealing even with granular contamination (sand)
Quiet and delicate closing (no water hammer)
Low opening pressure
No moving mechanical parts (low maintenance, solidity)
Closes in environments where mechanical valves no longer work (glucose, chocolate)
Good chemical resistance, corrosion resistant
Simple and cost-effective installation, even after the fact (flange mounting)
Also serves as a raw filter (protects pumps and equipment)
Ensures flow measurement (excluding measurement error due to reflux)
Operates in any position



Technical Data

- Pressure 232 psi (16 bar)
- Temperature 14°F up to 356°F (-10° up to +180°C) (no vapor)
- Speed Fluids up to 10 feet/sec (2.5 m/sec)
Gases up to 50 feet/sec (15 m/sec)
- Fluid Water, Oil, Acids, brines
- Dimensions from DN 20 up to DN 600

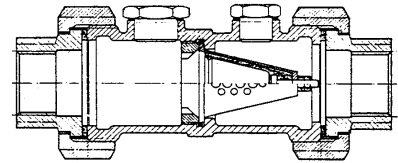
Fields of application

- Water distribution
- House and business connections
- Fittings
- Pumps, Compressors
- Food industry
- Process technology
- Solar technology
- Heating systems
- Sanitary facilities
- Pneumatic systems
- Ground water pumps
- Foot operated valves
- Filtration plants
- Water meters and flow meters
- Water-gauge installation
- Chemical production plants
- Petrochemical installations
- Irrigation plants
- Air-conditioning
- Washing machines
- Cooling water systems
- Fire equipment
- Hydrant
- Treatment of water
- Piping
- Ventilation systems
- Pressure air installations

Examples of mountings:

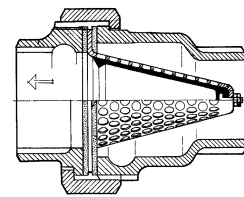
Stop Silent AS NU - DN 25 up to DN 100

Stop Silent valve with minimum flange diameter designed to be mounted in a body, calibrated for installation in industrial and sanitary fittings. The sealing of the valve body is achieved by a seal between the body and the edge of the flange.



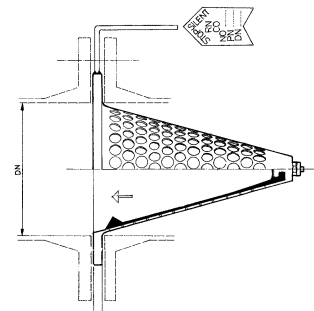
Stop Silent AS 41 - DN 25 up to DN 200

Stop Silent valve with standard flange for mounting in flat-sealing unions.



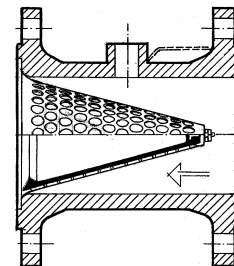
Stop Silent AS 54 - DN 40 up to DN 200

Stop Silent valve with large flange diameter for mounting between standard flanges PN 10 or PN 16. These valves can be fitted with a plate, allowing the identification of the valve after assembly - a cost-effective and quick solution.



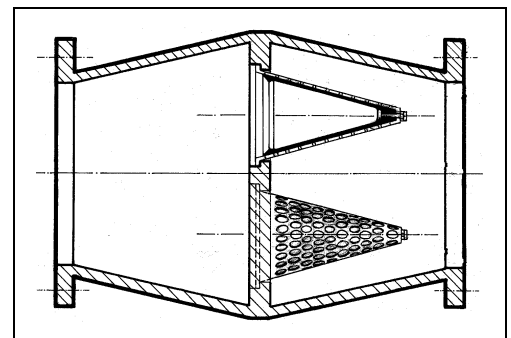
Stop Silent flanged-valve - DN 40 up to DN 200

The Stop Silent valve is included in the welded, hot-dip galvanized or stainless steel body, PN 16 flanges.



MKV-multicone-valve - DN 150 up to DN 600

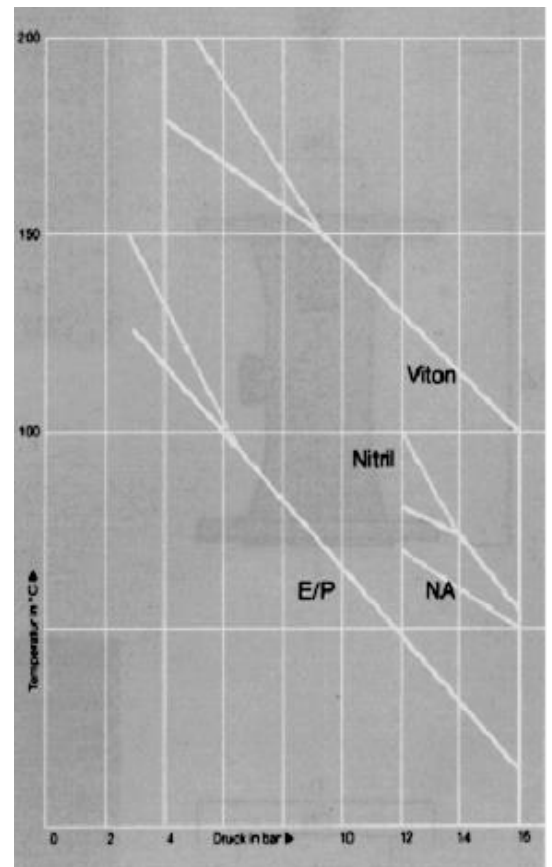
Multi-cone Stop Silent valve DN 150 to 600 and above, distance according to DIN PN 16, hot-dip galvanised or rilsan (nylon) coated welded construction. These valves can also be made entirely of stainless steel.



Application / Diaphragm

Fluid	Diaphragm		
	EPDM	Nitrile	Viton®
water	○		
deionised, softened or radioactive water up to 176°F (80°C)	○		
seawater up to 104°F (40°C)	○		
warm water up to 248°F (120°C)	○		
Chlorine and chlorinated water	○		
chlorinated brine	○		
Water with Hydrazine	○		
caustic soda hydrated up to max. 30%	○		
alcohol solution 40% from 14°F to 104°F (-10°C to 40°C)	○		
antifreeze	○		
nitrogen	○		
sulphate of alumina solution	○		
phosphoric acid	○		
ammonia	○		
hydrochloric acid up to 4%	○		
vinegar and cold acetic acid	○		
hydrogen peroxide	○		
ozone and ozonized water	○		
benzine and super benzine		○	
mineral oil up to 176°F (80°C)		○	
fuel		○	
lubricating oil		○	
spiritus		○	
propane, butane		○	
natural gas		○	
freon 11 and 12		○	
concentrated sulfuric acid			○
nitron acid up to 140°F (60°C)			○
toluol			○
xylol			○
viscose solution			○

Pressure / Temperature range



The drawn lines indicate the application limits under constant work temperatures. The broken lines indicate the application limits under short term peak temperatures.

Diaphragm material	Const. Working temperature	Max. peak temperature
EPDM	248°F (120°C)	302°F (150°C)
Nitrile	176°F (80°C)	212°F (100°C)
Viton®	356°F (180°C)	392°F (200°C)

Ethylene-Propylene EPDM

For cold and warm water supply. Also for short periods with steam, for example, for the sterilization in the food industry.

Nitrile, NBR

For mineral oils in the petrochemical industry, gas, alcohol and antifreeze in solar energy collectors.

Viton® Fluorcarbon

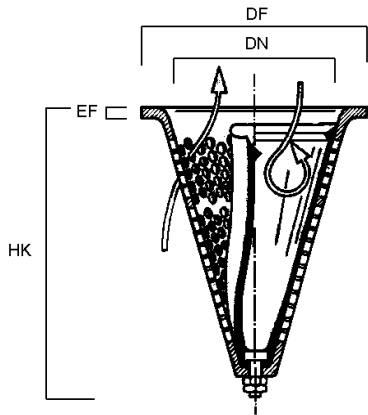
Good resistance for a great range of acids and alkalis.

Operative range of the diaphragm materials

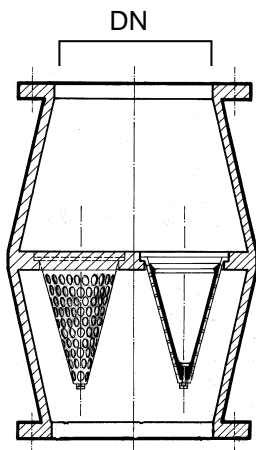
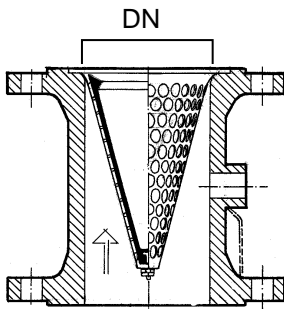
The above indications concern a large number of fluids under normal working conditions. For other applications, please contact us and give us the following specifications:

1. kind of fluid and viscosity
2. flow speed
3. max. flow pressure
4. max. back-pressure
5. working temperature
6. if there are any solid particles and large grains in the fluid

Dimensions of standard cones and valves

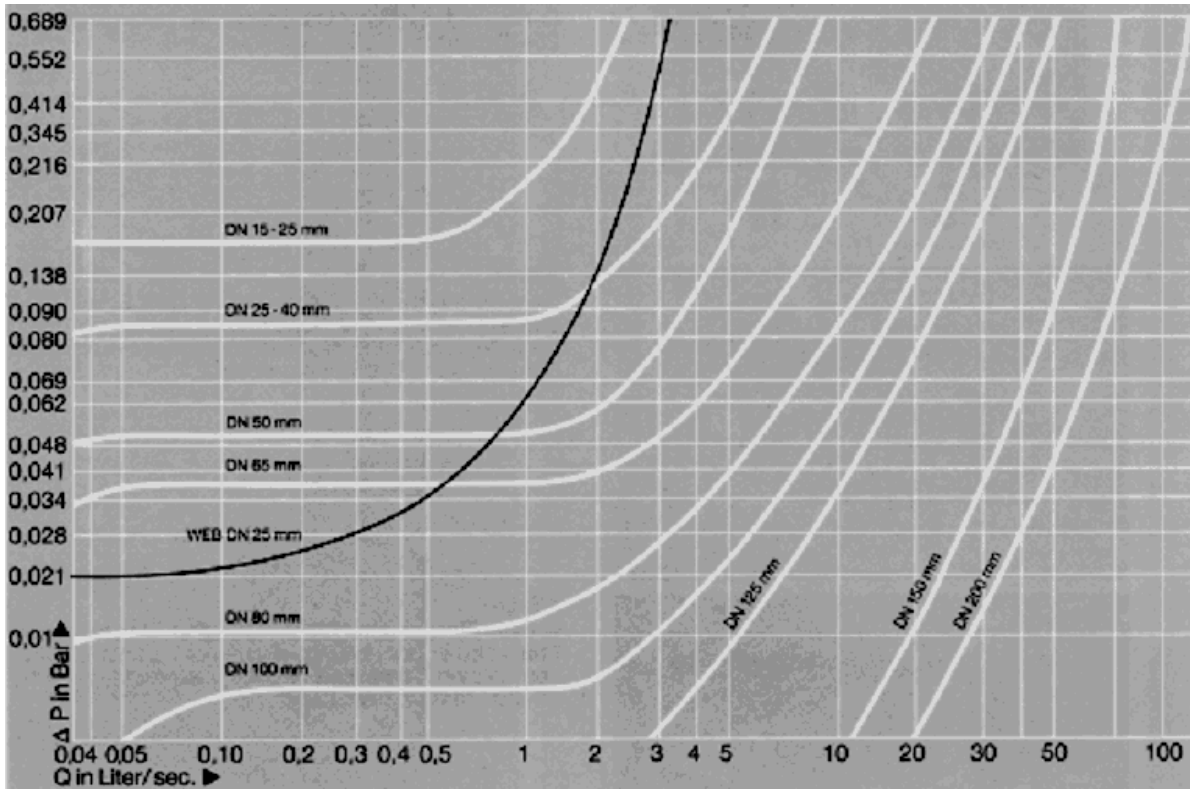


Inch	mm	AS-NU	AS-41	AS-54	Thick-ness	Height cone	SFL height
	DN	DF	DF	DF	EF	HK	mm
¾"	20		29		2	32	
1"	25	32	36		2	45	
1¼"	32	40	54		2	50	
1½"	40	46	56	82	2	60	100
2"	50	56	65	102	2	80	100
2½"	65	75.5	84	118	2	100	120
3"	80	93	98	132	4	130	150
4"	100	118	130	158	4	170	190
5"	125		160	188	6	220	300
6"	150		192	210	6	270	300
8"	200		244	268	6	365	400



Nom. diameter DN		Length	Nos. of cones	flange PN 10	flange PN 16
Inch	MM			Ø mm	Ø mm
6"	150	400	7 / 65		285
8"	200	500	7 / 80	340	340
10"	250	600	7 / 100	395	405
12"	300	700	8 / 100	445	460
			1 / 150		
14"	350	800	6 / 150	505	520
16"	400	900	7 / 150	565	580
20"	500	1100		670	715
24"	600	1300		780	840

Pressure drop of Lasso-Stop® valves within standard fittings and cold water as medium



Supply

The Lasso-Stop® check-valves, a development of Lasso Technik AG, Basel, are manufactured under license in different countries. Constant new developments and improvements guarantee our product, which keeps pace with the latest technological developments as well as meeting the changing requirements of the customer. We export the types AS-41, AS-54, AS-NU, SFL as well as multicone-valves from Basel into various countries.

	<p>Lasso Technik AG Niklaus von Flüe-Strasse 33 4059 Basel Switzerland</p>	<p>www.lasso.ch lasso@lasso.ch +41 61 331 40 90</p>
--	--	--